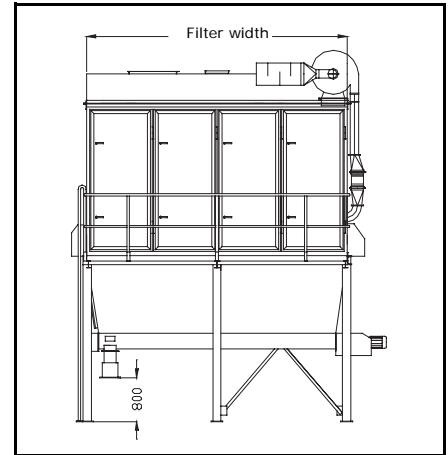
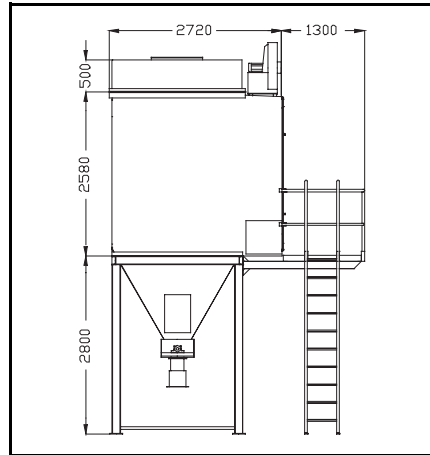
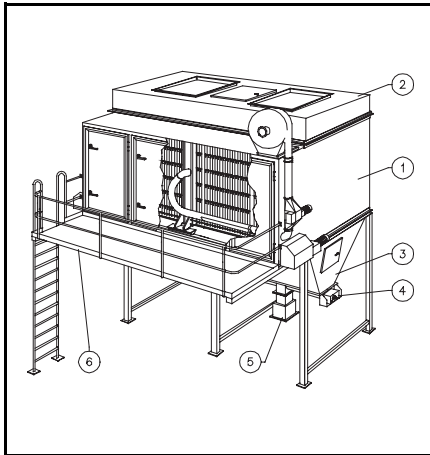




NFS Surface filter with reverse air cleaning



The NEOTECHNIK surface filter NFS operates fully automatically with a reverse air cleaning system. This custom-made filter allows economic operation with a constantly low filter

differential pressure. The blowing impulses are generated by an impulse transmitter in a fixed position. This transmitter is fed by an impulse air fan and the transmission of the

cleaning impulses to the mobile cleaning trolley is effected via a flexible metal tube.

Type	Filter bags quantity	Filter surface m ²	Filter width mm	Impulse air fan	Weight kg
NFS 601	60	90 (63)	811	1	3 250
NFS 610	96	144 (117)	1 153	1	3 750
NFS 602	132	198 (171)	1 552	1	4 250
NFS 611	168	252 (225)	1 894	1	4 750
NFS 620	204	306 (279)	2 236	1	5 350
NFS 612	240	360 (333)	2 635	1	5 850
NFS 621	276	414 (387)	2 977	1	6 350
NFS 630	312	468 (441)	3 319	1	7 000
NFS 622	348	522 (495)	3 718	1	7 450
NFS 631	384	576 (549)	4 060	1	8 200
NFS 640	420	630 (576)	4 402	2	8 700
NFS 632	456	684 (630)	4 801	2	9 300
NFS 641	492	738 (684)	5 143	2	9 700
NFS 650	528	792 (738)	5 485	2	10 300
NFS 642	564	846 (792)	5 884	2	10 850
NFS 651	600	900 (846)	6 226	2	11 350
NFS 660	636	954 (900)	6 568	2	12 000
NFS 652	672	1 008 (954)	6 967	2	12 400
NFS 661	708	1 062 (1 008)	7 309	2	12 900
NFS 670	744	1 116 (1 062)	7 651	2	13 400
NFS 662	780	1 170 (1 116)	8 038	2	14 250
NFS 671	816	1 224 (1 170)	8 392	2	14 750
NFS 680	852	1 278 (1 197)	8 734	3	15 250
NFS 672	888	1 332 (1 251)	9 133	3	15 800
NFS 681	924	1 386 (1 305)	9 475	3	16 300
NFS 690	960	1 440 (1 359)	9 817	3	16 900
NFS 682	996	1 494 (1 413)	10 218	3	17 400
NFS 691	1 032	1 548 (1 467)	10 558	3	18 000

Construction

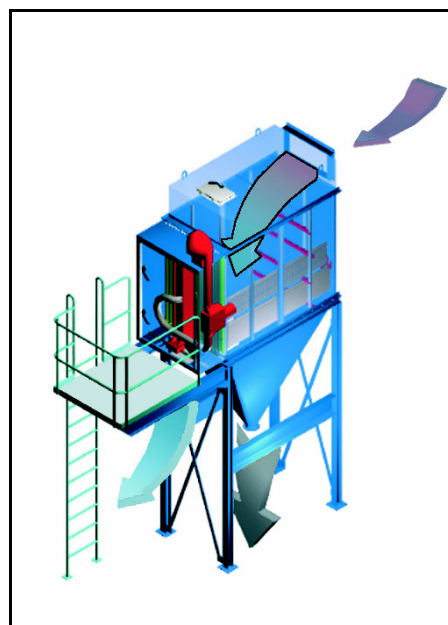
The filter housing is constructed of reinforced welded steel sheet. Air-tight doors allow access to the clean gas chamber. The filter element consists of individual filter bags and inserts with spanners. The filter elements, stretched via locking fastener, are easy to maintain and can be removed from the front.

In particular the cleaning device consists of:

- ▶ Impulse fan
- ▶ Impulse transmitter
- ▶ Connection ducts
- ▶ Cleaning trolley
- ▶ Drive gear

The filter unit is composed of the following premounted elements:

- 1 Filter housing
- 2 Crude gas hood
- 3 Dust collection hopper
- 4 Screw conveyor
- 5 Dust valve
- 6 Platform with access ladder



Examples of dust extraction:

- 1 Induction furnace
- 2 Electric arc furnace (EAF)
- 3 Aluminium shaft furnace
- 4 Foundry areas
- 5 Cold wind cupola furnaces
- 6 Cleaning plant / steel plant



NEOTECHNIK GmbH Entstaubungsanlagen

Piderits Bleiche 8 · D-33689 Bielefeld · Postfach 11 02 61 · D-33662 Bielefeld
 Tel.: +49 (0) 52 05 75 03-0 Fax.: +49 (0) 52 05 75 03-77
 Internet: www.neotechnik.com E-Mail: info@neotechnik.com